

# BIOC3

## Stylish Network Biometry Reader with Wiegand Output

BIOC3 is a Wiegand biometric reader for indoors access control applications. It offers storage up to 9500 fingerprints and programmable Wiegand Output (8 to 128 bits).

Configuration of the readers and fingerprint enrollment is done through PC Software.

Connection between the biometric readers is RS485 and it is used for fingerprint transfer and configuration.

When used with third party controllers, the connection between the Biometric readers and the PC is done through a converter (CNV100-RS485 to RS232 or CNV200-RS485 to USB or CNV300-RS485 to TCP/IP). Only one converter is needed per system (one converter for 1, 2, 3...30, 31 Biometric readers)



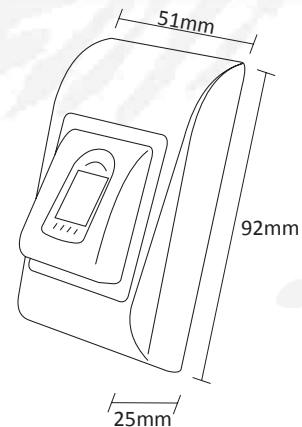
### Features

- Surface mount fingerprint reader with capacitive sensor
- Compatible with any Wiegand controller
- SteelCoat protective coating provides added protection of fingerprint sensor for rugged environments
- Recognition and matching time: <1sec
- Storage capacity: 9500 Fingerprints
- New elegant aluminium housing in different colours
- Configuring the system and Fingerprint enrollment done through PC, locally or remotely
- Enrolment can be also done from Desktop Reader BioE
- Adjustable Wiegand protocol (1 to 128-bit) is utilized in the biometry reader which makes it compatible with controllers with Wiegand interface
- Wiegand Protocol adjustment done through PC
- Separate BioManager Software available free when used with third party controllers
- Fingerprints stored in the reader and backup copy kept in the software
- Compatibility with XPR Control Panels: EWS
- Backlight ON/OFF
- Power Supply: 12Vdc
- Consumption: 100mA max.
- Weight: 200g
- IP rating: IP54

INTERNAL USE ONLY



### Dimensions

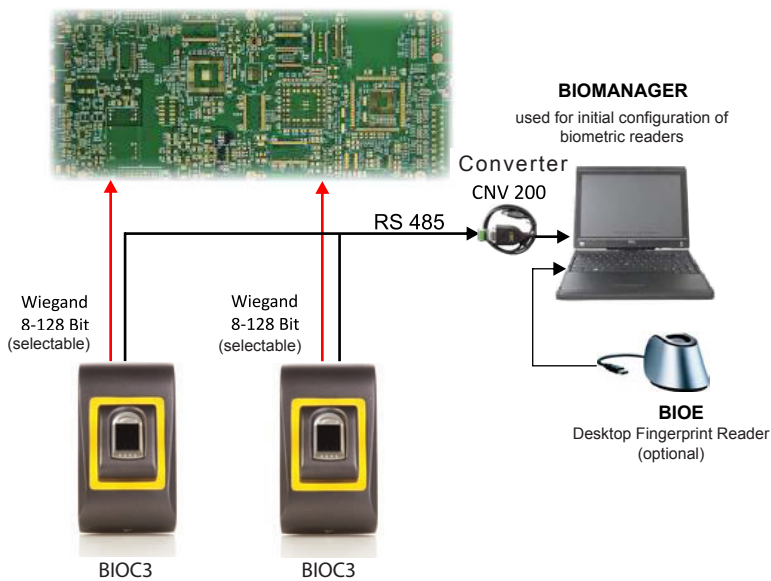


### Colours



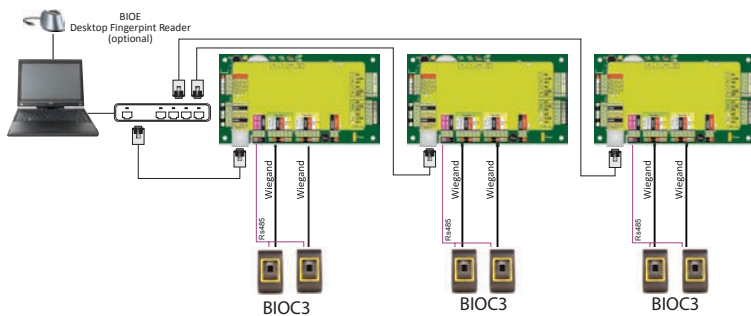
BIOC3\_DS\_EN\_V1

## Third party controller - Architecture



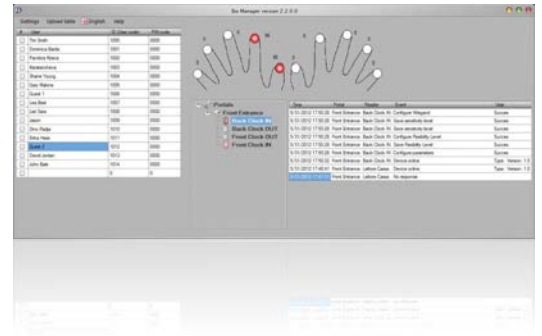
- Enrollment can be done from any biometric reader in the network or from BIOE - Desktop USB Enrollment Unit
- Finger templates can be sent to all readers in the network. Different Users can be sent to different Fingerprint Readers

## EWS controller - Architecture



## BioManager Software

- Windows based PC Software
- Free Fingerprint Management Software for XPR Biometric Readers



## PROS CS Software

- Client-Server Software, multiple users can access the data-base on the server PC
- User-Friendly windows Interface for simple programming, management and control of installations
- Unlimited number of Users
- Unlimited number of Access Levels
- Integrated fingerprint feature
- Enrollment can be done from any reader in the network, or from BioE (Desktop enrolment unit)
- Activation of several relays from one reader
- Remote Relays activation
- 24 Time zones, 32 Holidays
- Event viewer
- Customized reports with filter for: Time, User, Department, Reader or Door.
- Free software for 1 PC (USB dongle required for client PC)
- Time & attendance
- Entry mode: Card, Finger, PIN Code, Card+PIN Code, Card+Finger, Finger+PIN Code, Finger on Card
- Sent reports by mail
- Fire Alarm, automatic printing of evacuation report
- MS Access or SQL
- Compatible with Windows: 8, 7, Vista, XP, Server 2008, Server 2003



BIOC3\_DS\_EN\_V1